

CryoKING[®] Cryogenic Vials with 2D Barcodes

I. APPLICATIONS

1. Cell centrifugation
2. Reaction Tube
3. Cryogenic storage
4. Centrifugation of precipitates

II. TUBE FEATURES

1. Materials: Strong, medical-grade polypropylene
2. With Pre-Set 2D Barcodes & RFID ready and compatible
3. Each datamatrix is unique and proof-scanned,
Can be used in automatic system or semi-automatic system
4. Strong mechanical and chemical resistance
5. Transparent wall permits easy viewing of tube contents
6. Working temperature: stable from -196°C to 121°C (Autoclavable, freeze proof and boil proof)
7. Designed & tested for long-term liquid nitrogen storage
8. Sterile, RNase & DNase Free, Endotoxin Free, Foreign DNA Free

III. TUBE DESIGN

1. Exagon self-standing bottom design
2. Available in 0.5ml, 1ml, 1.5ml, 2.0ml or 5.0ml volumes
3. Clearly visible with either clear or turbid samples
4. With black graduations and white writing area.

IV. CAP DESIGN

1. Both External and Internal thread are available
2. X--Cap Color : 0-White, 1-Red, 2-Green, 3-Blue, 4-Yellow, 5-Purple

V. PACKAGING

1. Tubes screwed with Caps: Bulk packaged, 25 Pieces/Bag, 20 Bags/Pack, 2 Packs/Case, 1000 Vials/Case

VI. DESCRIPTION

Cat#	Volume	Thread Type	Bottom Barcode	Side Barcode	Writing Area	Sterile
88-105X	0.5ml	External	Yes	No	Yes	Yes
88-110X	1.0ml	External	Yes	No	Yes	Yes
88-115X	1.5ml	External	Yes	No	Yes	Yes

88-120X	2.0ml	External	Yes	No	Yes	Yes
88-121X	2.0ml	Internal	Yes	No	Yes	Yes
88-150X	5.0ml	External	Yes	No	Yes	Yes
88-905X	0.5ml	External	Yes	Yes	Yes	Yes
88-910X	1.0ml	Exteranl	Yes	Yes	Yes	Yes
88-915X	1.5ml	Exteranl	Yes	Yes	Yes	Yes
88-920X	2.0ml	External	Yes	Yes	Yes	Yes
88-921X	2.0ml	Internal	Yes	Yes	Yes	Yes
88-950X	5.0ml	External	Yes	Yes	Yes	Yes

VII. STERILITY

1. Yes

VIII. CERTIFICATION

Biologix products are manufactured completely according to the TUV ISO 9001:2008 standard.

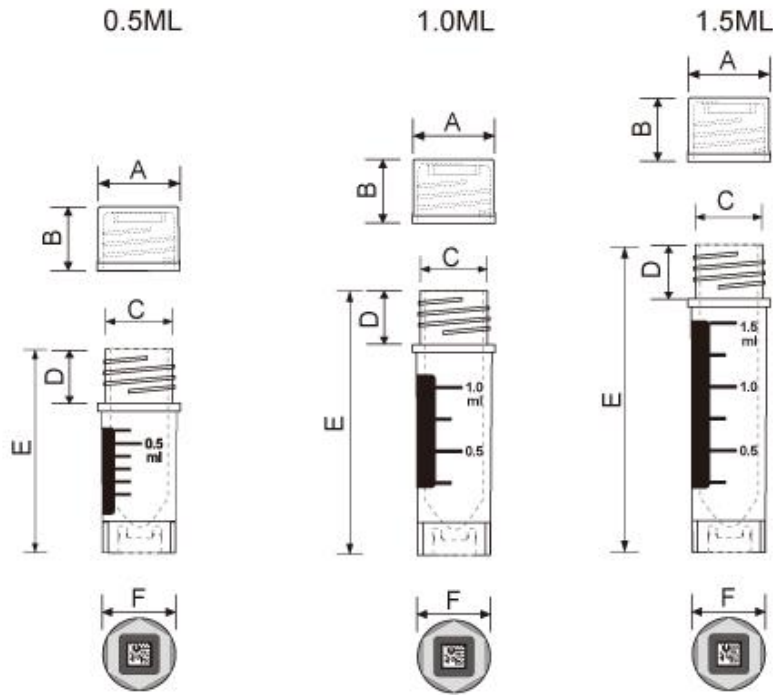
IX. RESTRICTIONS

Refer to the Chemical Resistance Chart in our catalog, and available within our online catalog.

X. PRODUCT PARAMETER

Dimensions=mm

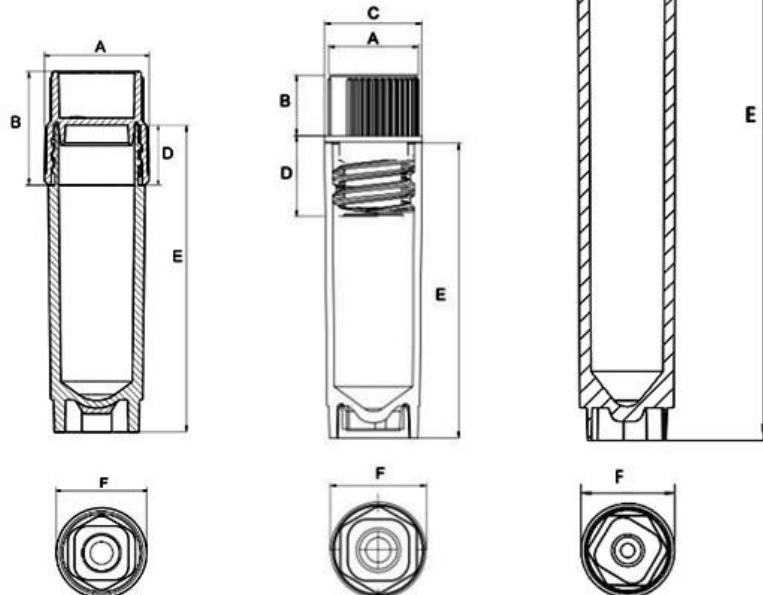
Cat #	Description	A	B	C	D	E	F
88-105X	0.5ml Tube with Cap	O.D.11.8	8.82	O.D. 10.0	7.9	45.7	10.8
88-110X	1.0ml Tube with Cap	O.D.11.8	8.82	O.D. 10.0	7.9	39.3	10.8
88-115X	1.5ml Tube with Cap	O.D.11.8	8.82	O.D. 10.0	7.9	30.2	10.8
88-120X	2.0ml Tube with Cap	O.D.13.5	14.62		8.63	39.44	13.5
88-121X	2.0ml Tube with Cap	O.D.11.1	7.8	O.D.12.5	9.5	37.75	12.5
88-150X	5.0ml Tube with Cap	O.D.13.5	14.62		8.63	83.52	13.5
88-905X	0.5ml Tube with Cap	O.D.11.8	8.82	O.D. 10.0	7.9	45.7	10.8
88-910X	1.0ml Tube with Cap	O.D.11.8	8.82	O.D. 10.0	7.9	39.3	10.8
88-915X	1.5ml Tube with Cap	O.D.11.8	8.82	O.D. 10.0	7.9	30.2	10.8
88-920X	2.0ml Tube with Cap	O.D.13.5	14.62		8.63	39.44	13.5
88-921X	2.0ml Tube with Cap	O.D.11.1	7.8	O.D.12.5	9.5	37.75	12.5
88-950X	5.0ml Tube with Cap	O.D.13.5	14.62		8.63	83.52	13.5

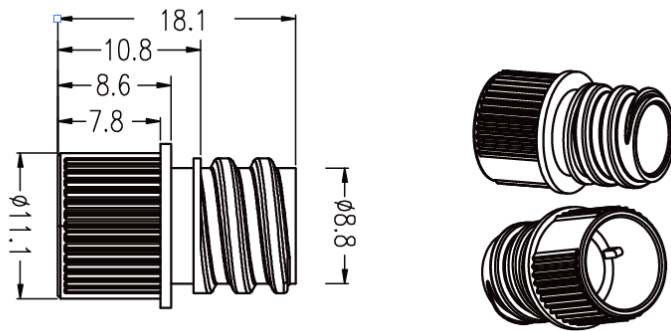


**5.0ml
External Thread**

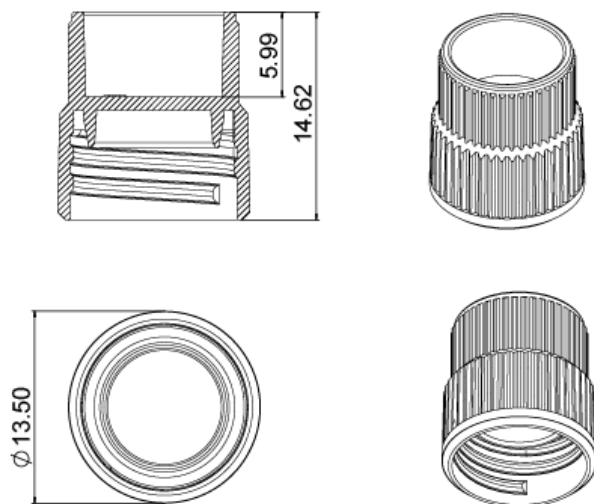
**2.0ml
External
Thread**

**2.0ml
Internal
Thread**





Caps for 2.0ml External Thread Vials



Caps for 2.0ml&5.0ml Internal Thread Vials