

Microtubes with Attached Screw Caps

I. APPLICATIONS

1. Cryogenic storage
2. Dispensing samples

II. TUBE FEATURES

1. Material: Strong, medical-grade polypropylene

III. TUBE DESIGN

1. Superior sealing property
2. No O-ring, can avoid contamination caused by interchanged caps
3. 5 colors for caps enable easy identification of samples
4. Tubes are clear

IV. PACKAGING

1. Tubes with attached screw caps, 500 /Bag, 10 Bags/Case

V. DESCRIPTION

| Item | Volume | Color | Bottom | Sterile |
|---------|--------|------------|---------------|---------|
| 82-7205 | 2.0ml | Red | Self-Standing | No |
| 82-7206 | 2.0ml | Yellow | Self-Standing | No |
| 82-7207 | 2.0ml | Blue | Self-Standing | No |
| 82-7208 | 2.0ml | White | Self-Standing | No |
| 82-7209 | 2.0ml | Light Blue | Self-Standing | No |
| 82-7105 | 1.5ml | Red | Conical | No |
| 82-7106 | 1.5ml | Yellow | Conical | No |
| 82-7107 | 1.5ml | Blue | Conical | No |
| 82-7108 | 1.5ml | White | Conical | No |
| 82-7109 | 1.5ml | Light Blue | Conical | No |

VI. CERTIFICATION

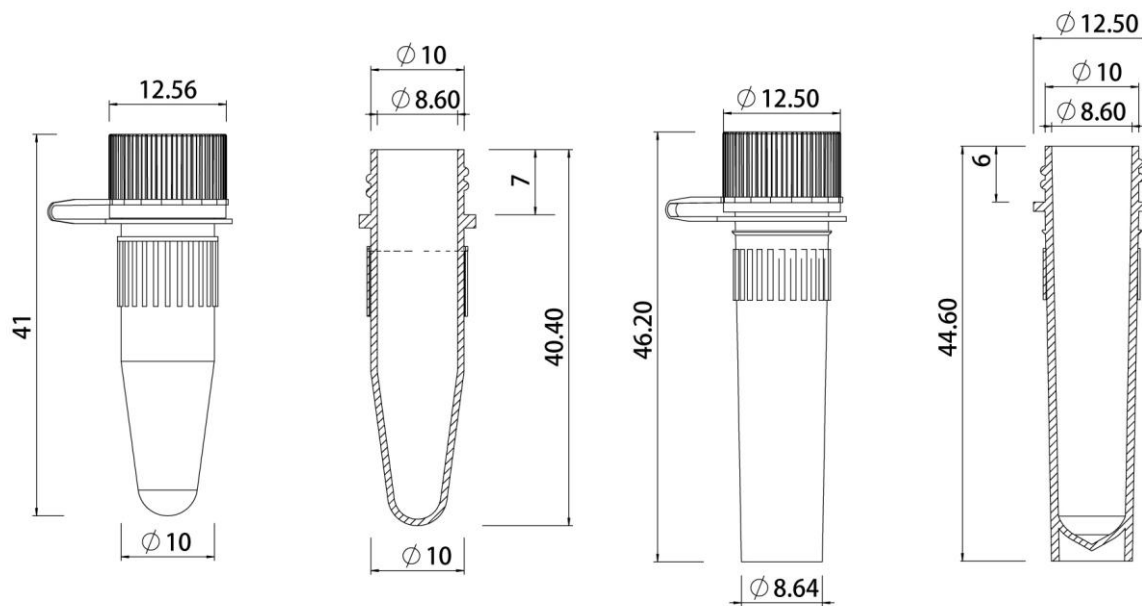
Biologix products are manufactured completely according to the TUV ISO 9001:2008 standard.

VII. RESTRICTIONS

Refer to the Chemical Resistance Chart in our catalog, and available within our online catalog.

VIII. PRODUCT PARAMETER

Dimensions=mm



82-7105

82-7205